

VF06 Filling Valve

For closed heating applications

Product Bulletin

Honeywell's VF06 filling valve ensures simple and safe filling or re-refilling of a closed heating system. The VF06 combines a pressure reducing valve, a check valve and a shut-off facility in one compact unit.

Features

- Housing with internal and external threads
- One turn of the adjuster knob and the valve is set
- Setting directly readable on the adjuster knob
- Completely replaceable high-grade synthetic material insert
- Balanced-seat pressure reducing valve - inlet pressure fluctuations do not influence outlet pressure
- Integral shut-off facility
- Alternative connections

Technical Data

Operating Pressure	Maximum 70°C
Inlet Pressure	Maximum 16.0 bar
Outlet Pressure	0.5 bar to 3.0 bar adjustable Set during manufacture to 1.5 bar
Connections	Inlet R ½" internal and R ¾" external threads Outlet R ½" internal and R ¾" external threads

Materials

- Brass housing
- High grade, heat resistant synthetic material spring bonnet
- Steel spring
- High grade, heat resistant synthetic material non return valve cartridge
- Fibre-reinforced NBR diaphragm
- NBR seals

Part Numbers

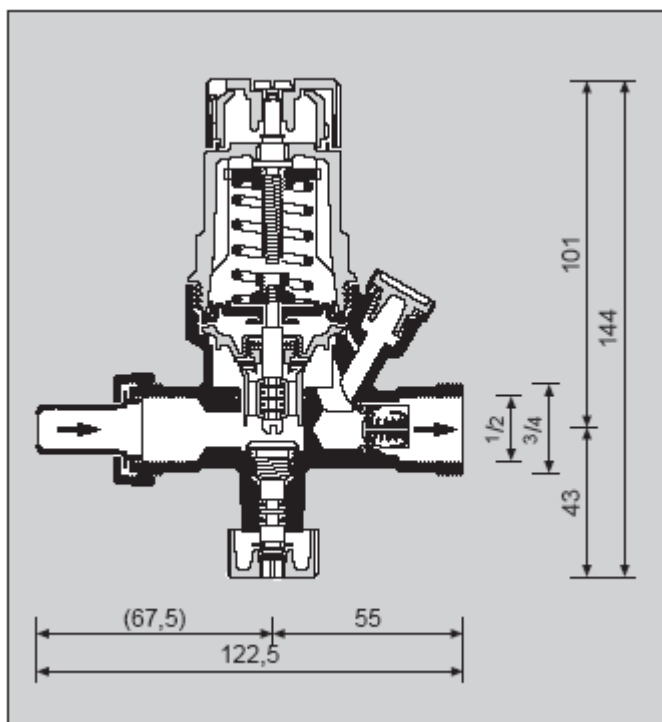
VF06-1/2AZAU – External thread with hose union connector

VF06-1/2BZAU – External thread with threaded union connector



Accessories available

MF 126 Pressure gauge	63 mm diameter. Connection tapping at bottom R 1/4", Range 0-4.0 bar, with red hand at 1.5 bar, red mark at 2.5 bar and green field between 1.5 and 2.5 bar
0903454 Hose connector union complete	With hose connector union, screw and gasket ring
VST 06-1/2 A Connection set	With threaded union connector, screw and gasket ring
ZR 06 K Double ring wrench	For removal of the spring bonnet



CONTACT DETAILS

Honeywell ECC Products

2 Richardson Place North Ryde NSW 2113 Australia
Tel: 1300 363 936 Fax: 1300 360 470

264 Mt Eden Rd Auckland 1024 New Zealand
Tel: 0800 20 20 88 Fax: 0800 20 20 86